



**Accreditation Pack**  
**Fi-Glass Cavalier / Fi-Glass 5M**

---

## INTRODUCTION

---

**Dear customer!**

Congratulations on your choice to buy the Balex® Marine - Automatic Boat Loader (ABL2500®).

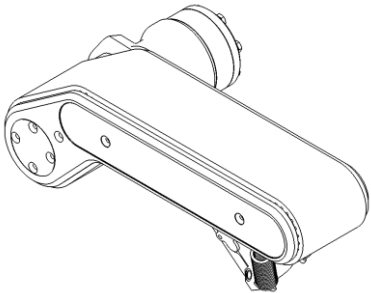
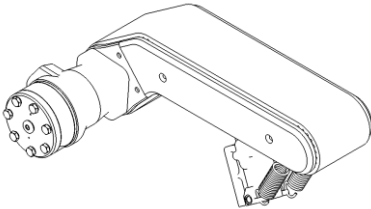
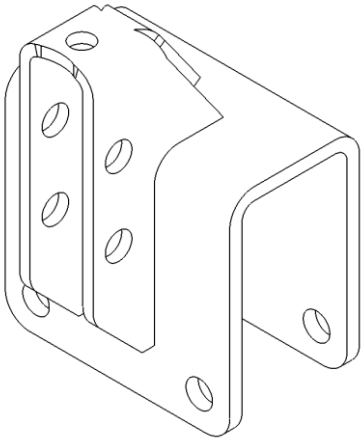
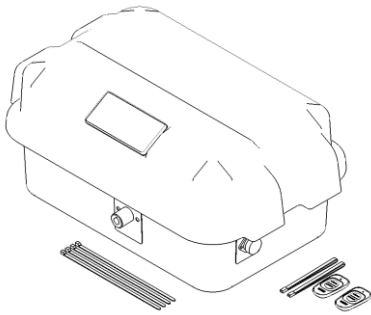
Before trying to install the ABL2500® onto your trailer it is critical you have the *Owners Manual-Rev 3*, read it and understand the instructions. This *Accreditation Pack* contains additional information specific to your trailer/boat combination, but the primary installation instructions are found in the *Owners Manual-Rev 3*.

Your purchase gives you access to professional help with repairs and service whenever this may be necessary. For customer assistance, contact us at our website:  
[www.balexmarine.com](http://www.balexmarine.com)

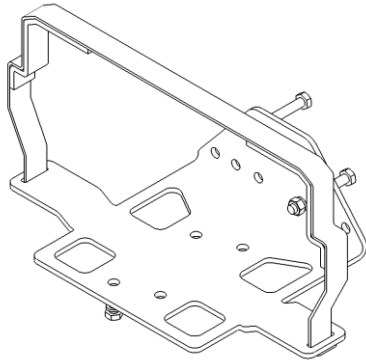
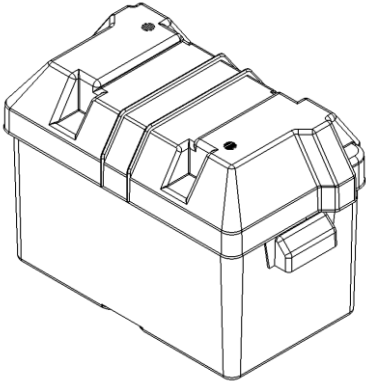
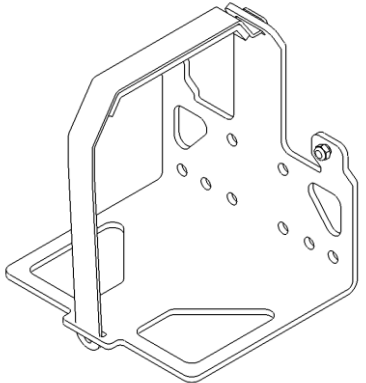
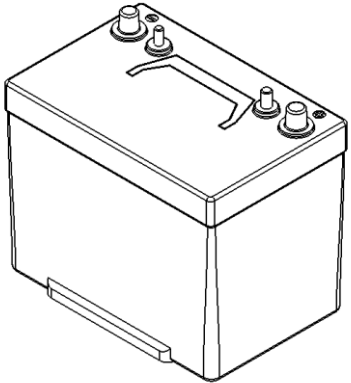
Balex Marine has a policy of continuous product development and therefore reserves the right to modify the design and appearance of products without prior notice.

Thank you for using our Balex Marine product.

## PARTS REQUIRED

#	PART DESCRIPTION	REQUIRED	PART NUMBER	DRAWING
1	Drive Unit – Starboard (x1)	Yes <input checked="" type="checkbox"/> No <input type="checkbox"/>	100101	
2	Drive Unit – Port (x1)	Yes <input checked="" type="checkbox"/> No <input type="checkbox"/>	100100	
3	Drive Unit Brackets (x2)	Yes <input checked="" type="checkbox"/> No <input type="checkbox"/>	DM-5050-030	
4	Power Unit – Pump Assembly (x1)	Yes <input checked="" type="checkbox"/> No <input type="checkbox"/>	200100	
5	Mounting Bracket and Strap – Pump (x1)	Yes <input checked="" type="checkbox"/> No <input type="checkbox"/>	600100	

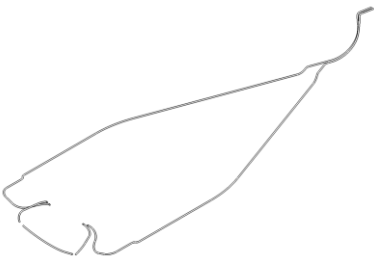
## PARTS REQUIRED

				
6	Power Unit – Battery Assembly (x1)	Yes <input checked="" type="checkbox"/> No <input type="checkbox"/>	300100	
7	Mounting Bracket and Strap – Battery (x1)	Yes <input checked="" type="checkbox"/> No <input type="checkbox"/>	600105	
8	Battery (x1)	Yes <input checked="" type="checkbox"/> No <input type="checkbox"/>	MSDP24	

---

## PARTS REQUIRED

---

9	Hydraulic Hose Kit (x1)	Yes <input checked="" type="checkbox"/> No <input type="checkbox"/>	400100	
---	----------------------------	---	--------	--

---

## TOOLS REQUIRED

---

#	DESCRIPTION
1	Spanner Set (12-30mm)
2	Deep Drive Socket Set (12-30mm)
3	Torque Wrench (10Nm-100Nm)
4	Allen Key Set (2mm – 10mm)
5	Side Cutters
6	Small Paintbrush
7	Insulation Tape
8	Knife
9	V32 Hydraulic Oil
10	Grease
11	Tyres x 3
12	Wooden Blocks x 4 (200mm High)
13	Tape Measure

Notes

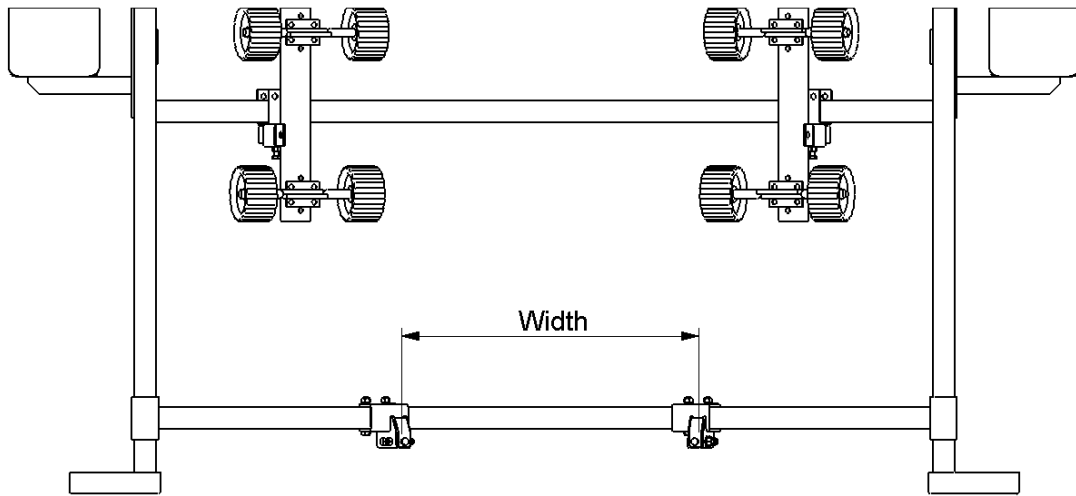
\* See the Owners Manual for recommended oils and where to purchase.

---

# DRIVE UNIT INSTALLATION

---

## Drive Unit Brackets - Centre to Centre Distance



Width = 520mm

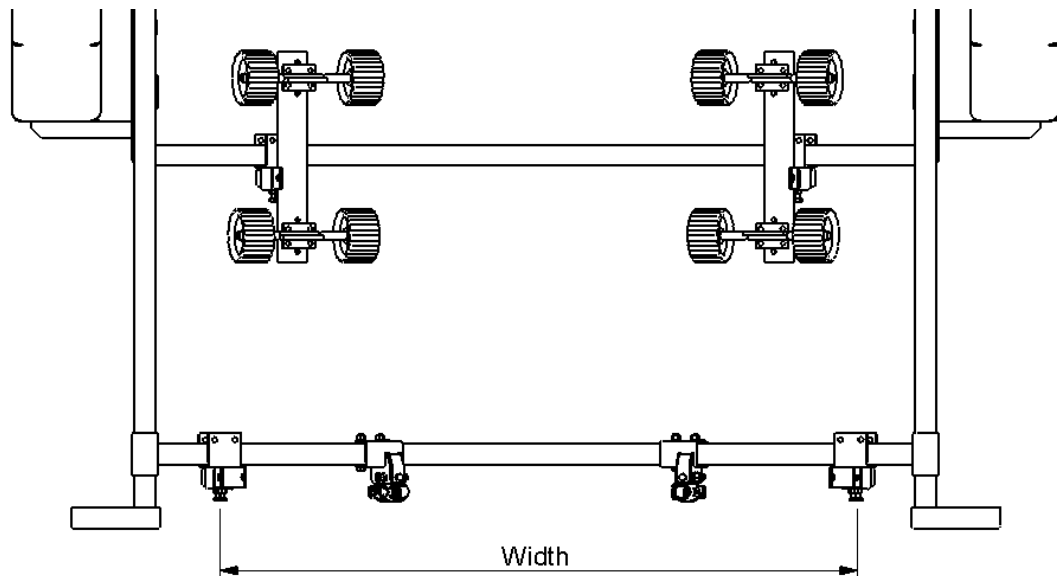
## Rear Rollers - Suitability

Remove

Replace

Leave as-is

## Rear Rollers - Centre to Centre Distance



Width = 1260mm

---

## POWER UNIT INSTALLATION

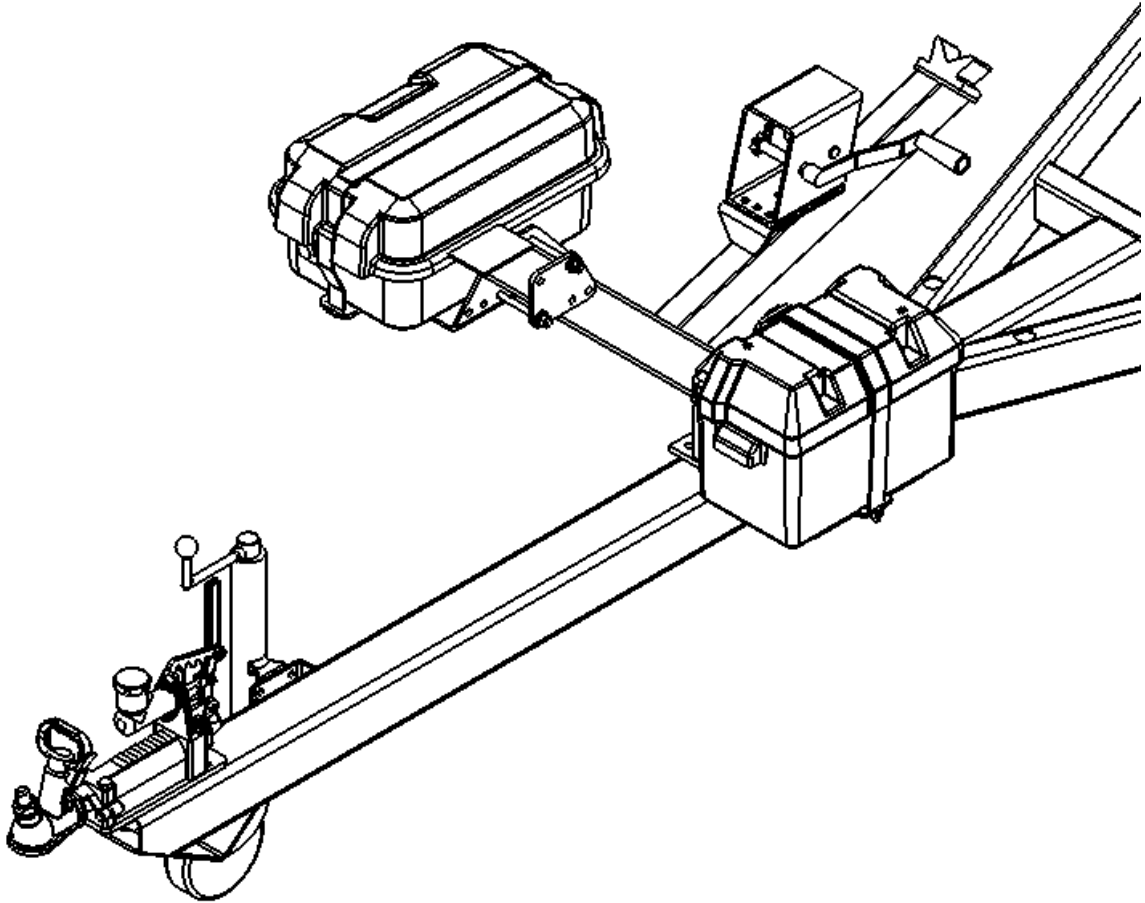
---

### Power Unit – Mounting Configuration

Current Trailer Post

New Mounting Post

New Mounting Bracket



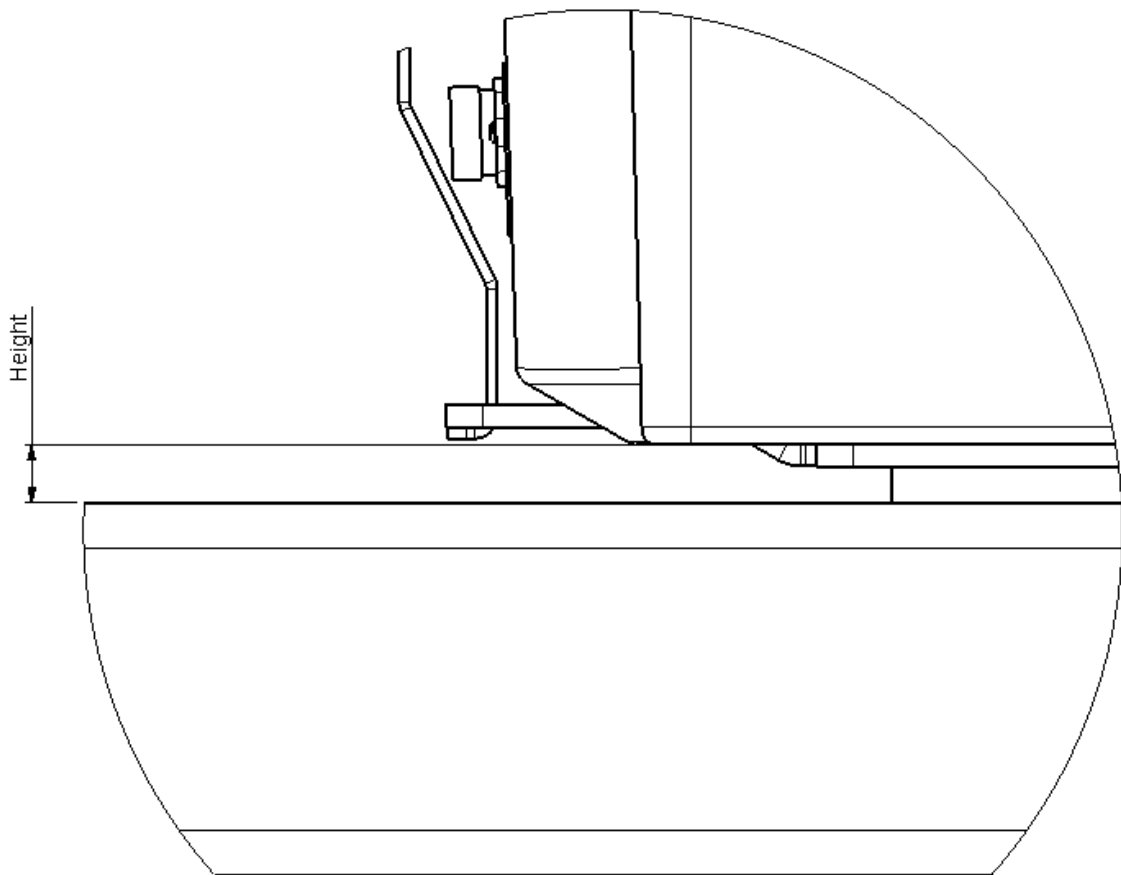
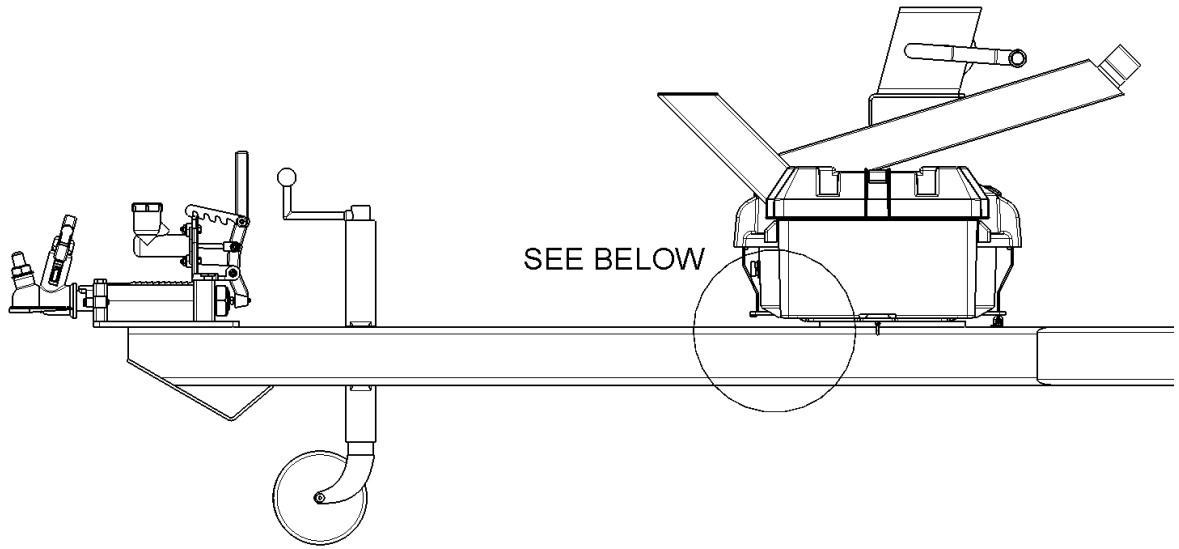


---

## POWER UNIT INSTALLATION

---

### Power Unit – Clearance Distance

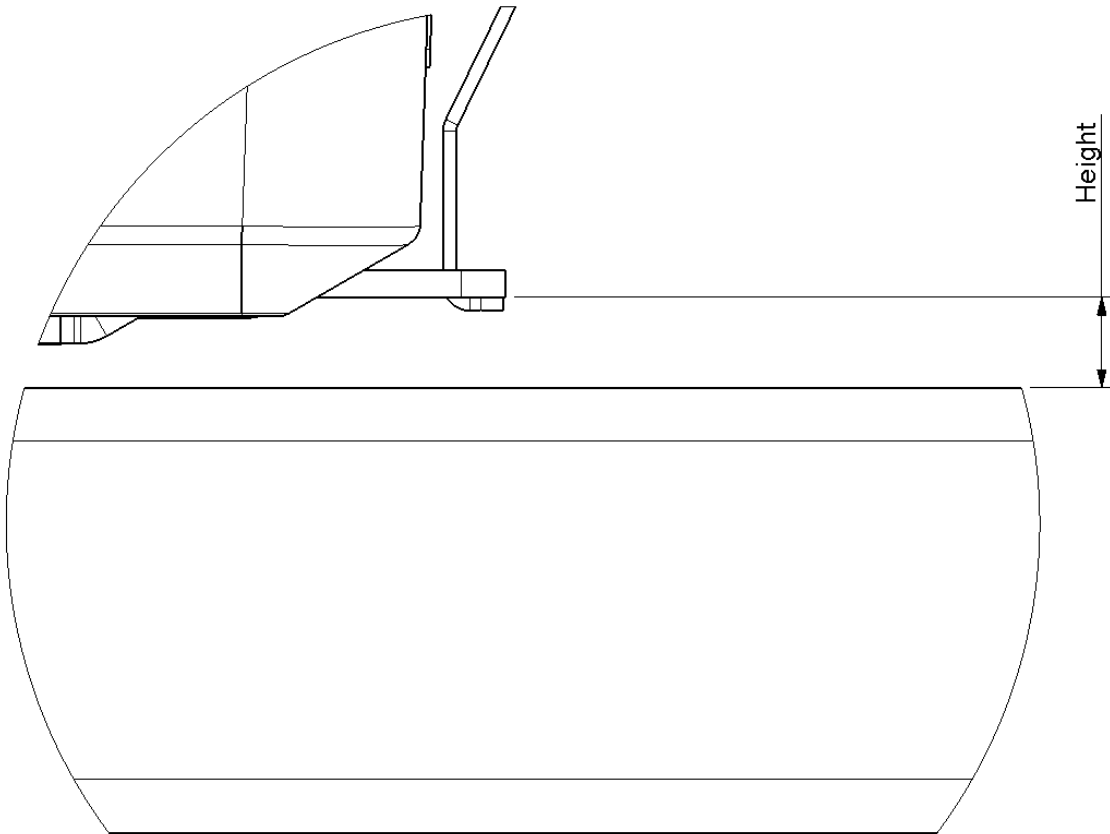
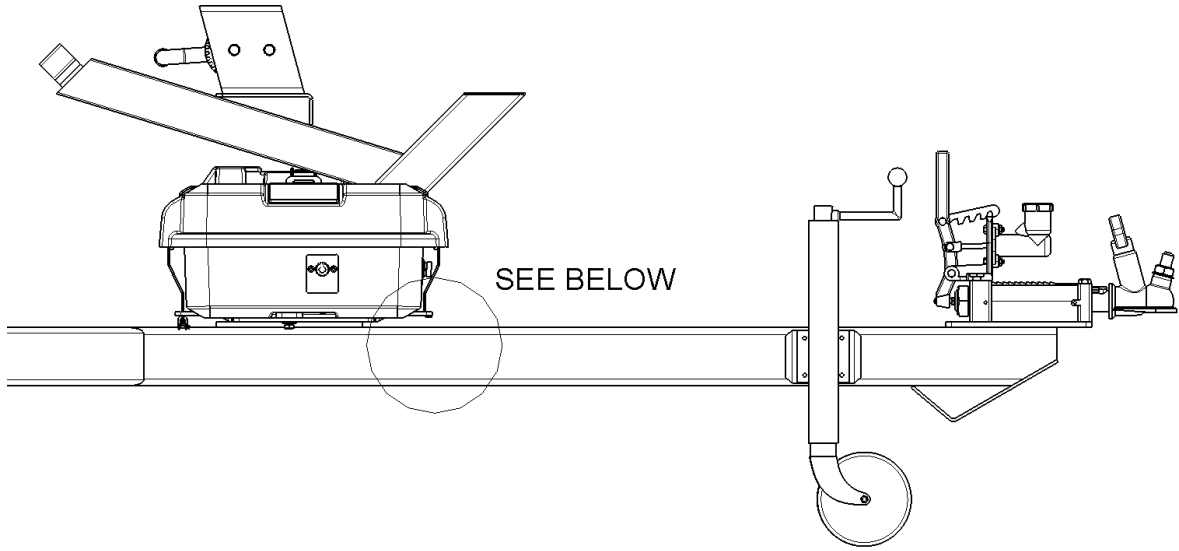


Height = 65mm

---

## POWER UNIT INSTALLATION

---



Height = 130mm

---

## ADDITIONAL INFORMATION

---

1. Rear roller shall be adjusted by using the second hole in them. Further if the retrieve, steel plate can be used to increase the offset in the vertical direction.

---

## PHOTOS

---

