



Accreditation Pack
MCLAY 601 / TOKO

INTRODUCTION

Dear customer!

Congratulations on your choice to buy the Balex® Marine - Automatic Boat Loader (ABL2500®).

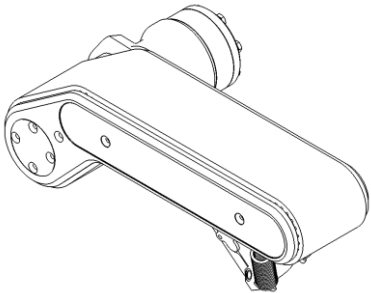
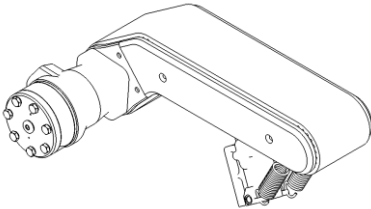
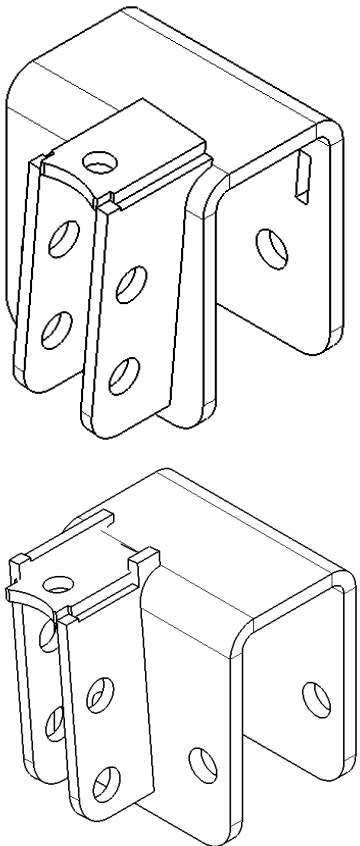
Before trying to install the ABL2500® onto your trailer it is critical you have the *Owners Manual-Rev 3*, read it and understand the instructions. This *Accreditation Pack* contains additional information specific to your trailer/boat combination, but the primary installation instructions are found in the *Owners Manual-Rev 3*.

Your purchase gives you access to professional help with repairs and service whenever this may be necessary. For customer assistance, contact us at our website:
www.balexmarine.com

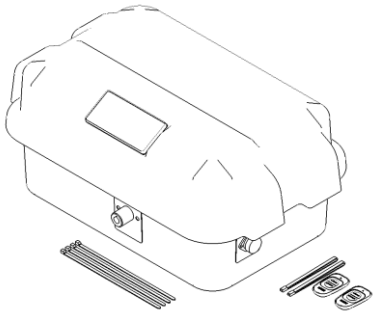
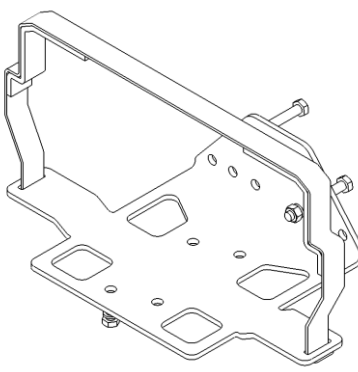
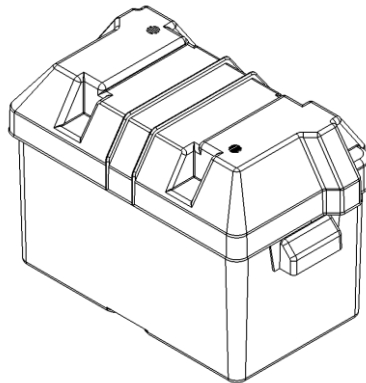
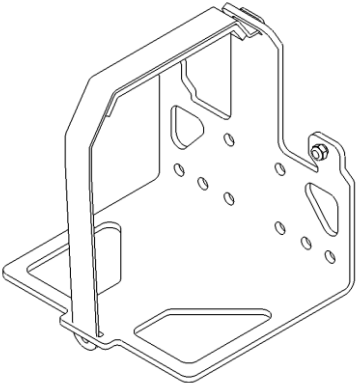
Balex Marine has a policy of continuous product development and therefore reserves the right to modify the design and appearance of products without prior notice.

Thank you for using our Balex Marine product.

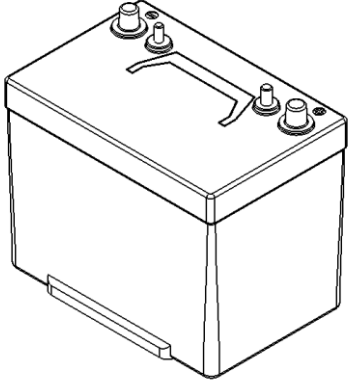
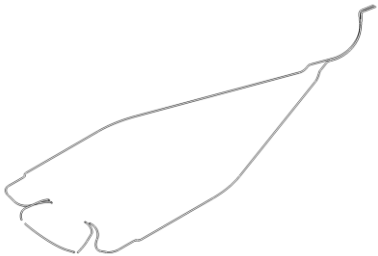
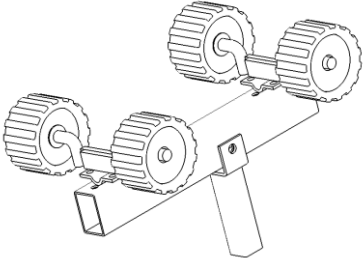
PARTS REQUIRED

#	PART DESCRIPTION	REQUIRED	PART NUMBER	DRAWING
1	Drive Unit – Starboard (x1)	Yes <input checked="" type="checkbox"/> No <input type="checkbox"/>	100101	
2	Drive Unit – Port (x1)	Yes <input checked="" type="checkbox"/> No <input type="checkbox"/>	100100	
3	Drive Unit Brackets (x2)	Yes <input checked="" type="checkbox"/> No <input type="checkbox"/>	DM-7540-090-01 DM-7540-090-02	
4	Power Unit – Pump Assembly (x1)	Yes <input checked="" type="checkbox"/> No <input type="checkbox"/>	200100	

PARTS REQUIRED

				
5	Mounting Bracket and Strap – Pump (x1)	Yes <input checked="" type="checkbox"/> No <input type="checkbox"/>	600100	
6	Power Unit – Battery Assembly (x1)	Yes <input checked="" type="checkbox"/> No <input type="checkbox"/>	300100	
7	Mounting Bracket and Strap – Battery (x1)	Yes <input checked="" type="checkbox"/> No <input type="checkbox"/>	600105	
8	Battery (x1)	Yes <input checked="" type="checkbox"/> No <input type="checkbox"/>	MSDP24	

PARTS REQUIRED

				
9	Hydraulic Hose Kit (x1)	Yes <input checked="" type="checkbox"/> No <input type="checkbox"/>	400100	
10	Rear Roller Kit	Yes <input checked="" type="checkbox"/> No <input type="checkbox"/>	CAS 600 50x50 TOK-WAS-270	

TOOLS REQUIRED

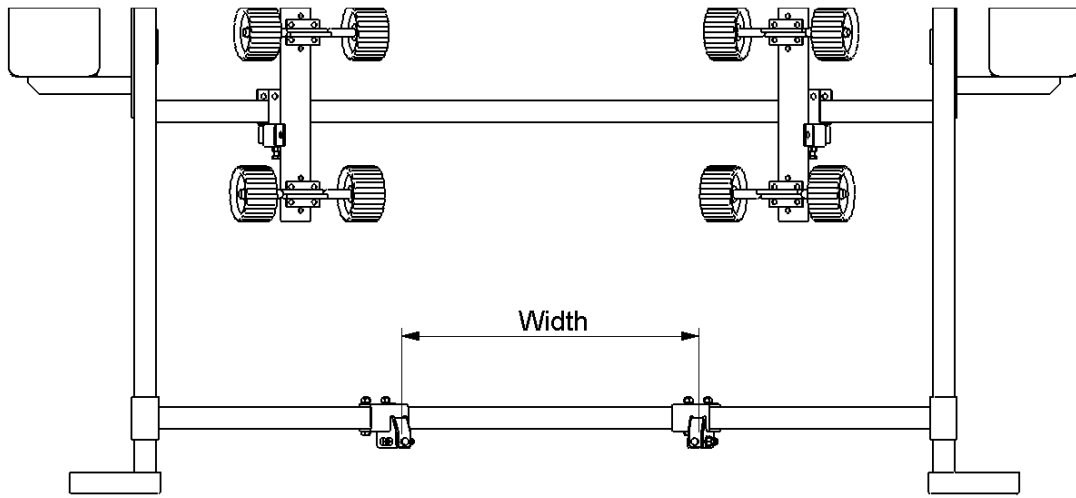
#	DESCRIPTION
1	Spanner Set (12-30mm)
2	Deep Drive Socket Set (12-30mm)
3	Torque Wrench (10Nm-100Nm)
4	Allen Key Set (2mm – 10mm)
5	Side Cutters
6	Small Paintbrush
7	Insulation Tape
8	Knife
9	V32 Hydraulic Oil
10	Grease
11	Tyres x 3
12	Wooden Blocks x 4 (200mm High)
13	Tape Measure

Notes

* See the Owners Manual for recommended oils and where to purchase.

DRIVE UNIT INSTALLATION

Drive Unit Brackets - Centre to Centre Distance



Width = 775mm

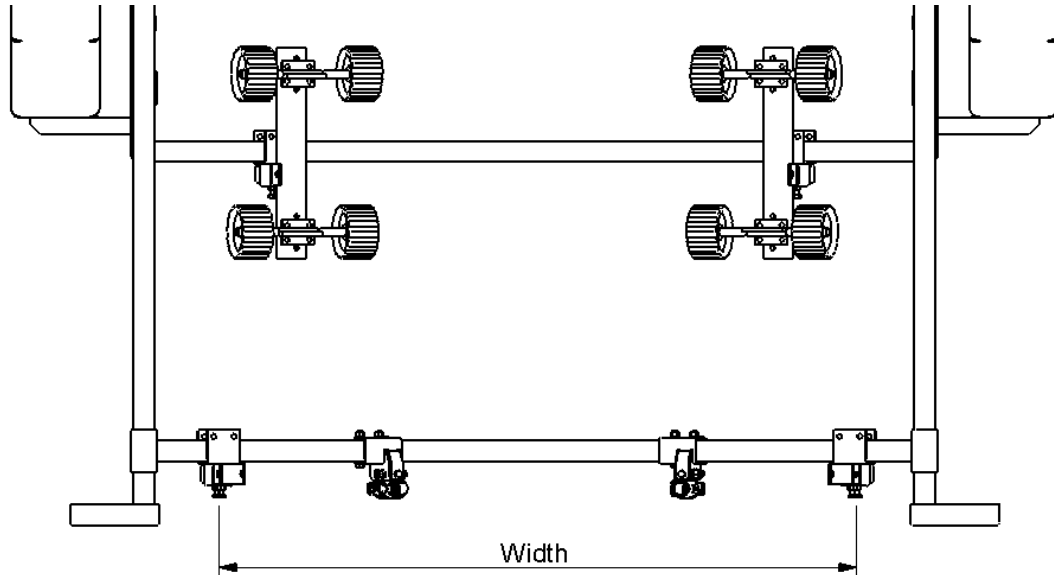
DRIVE UNIT INSTALLATION

Rear Rollers - Suitability

Remove

Replace

Rear Rollers - Centre to Centre Distance



Width = 1200mm

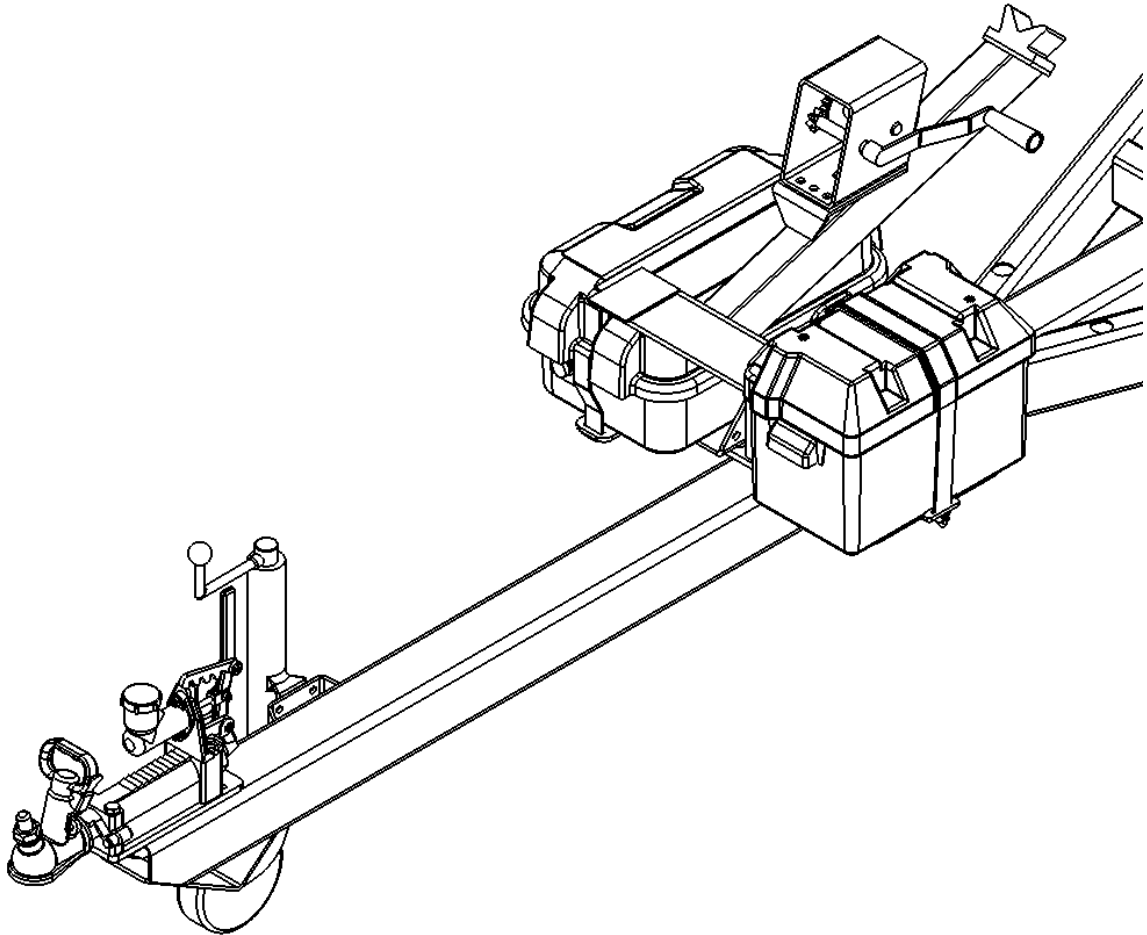
POWER UNIT INSTALLATION

Power Unit – Mounting Configuration

Current Trailer Post

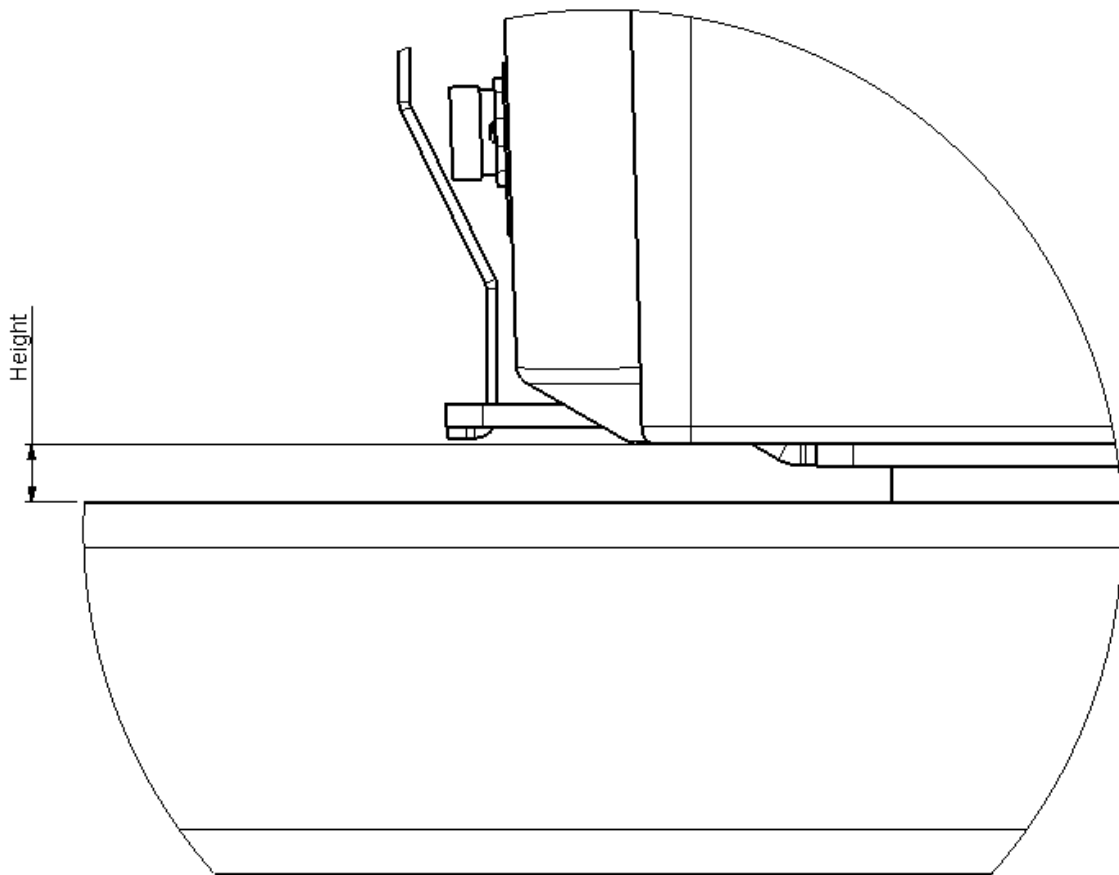
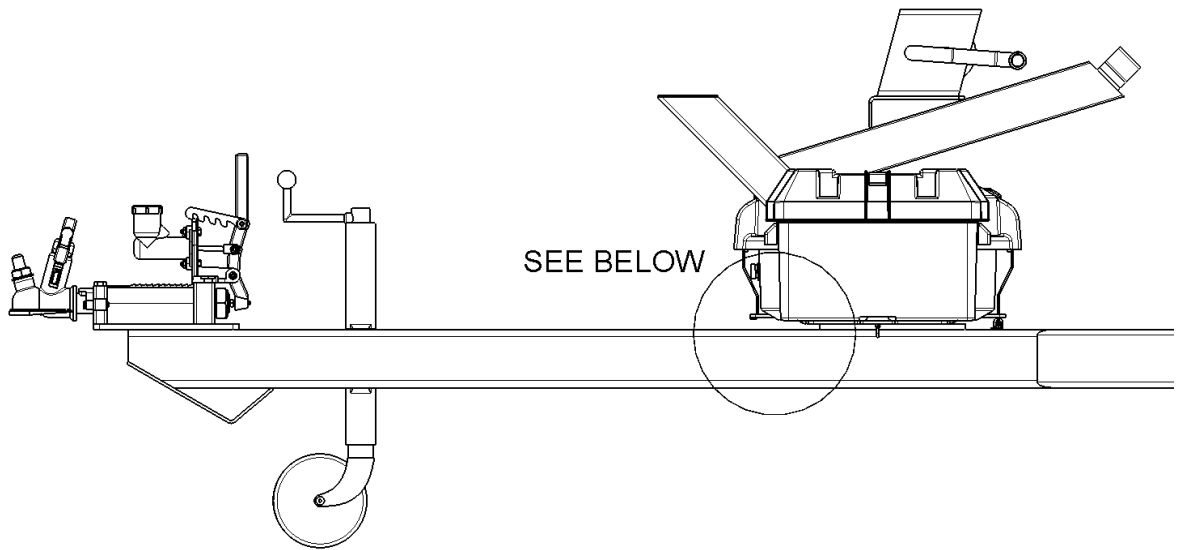
New Mounting Post

New Mounting Bracket



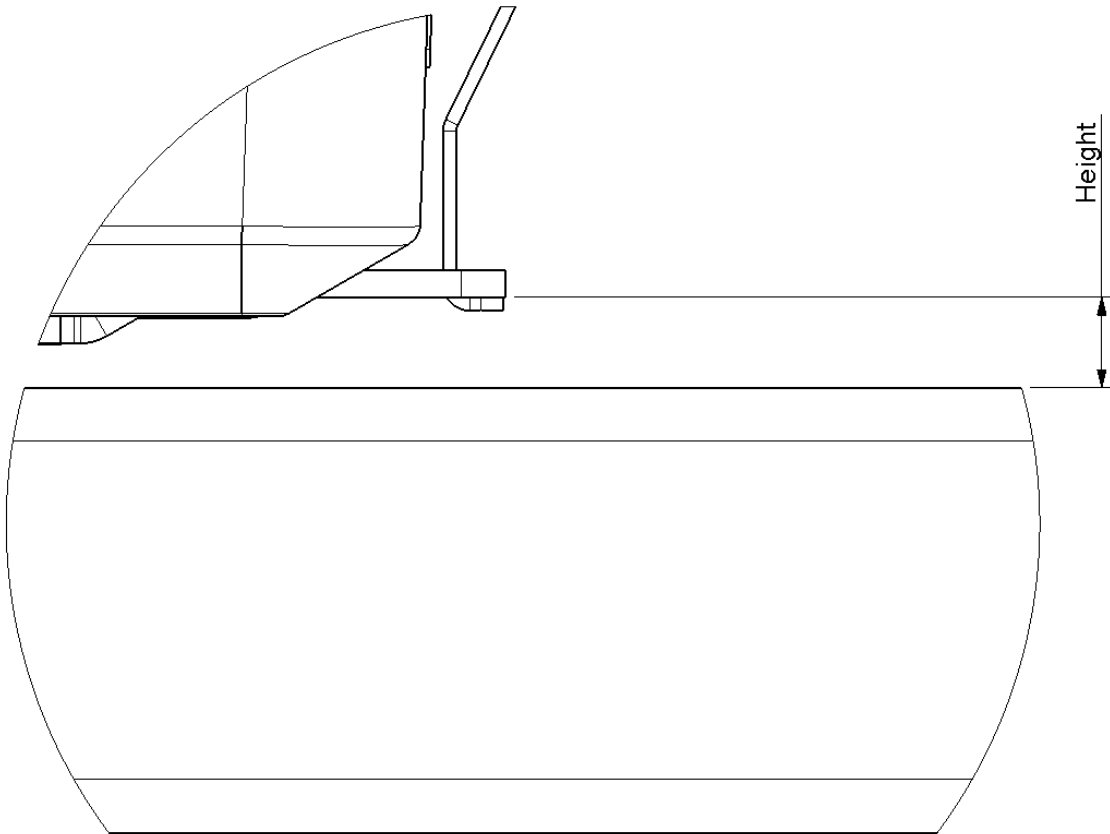
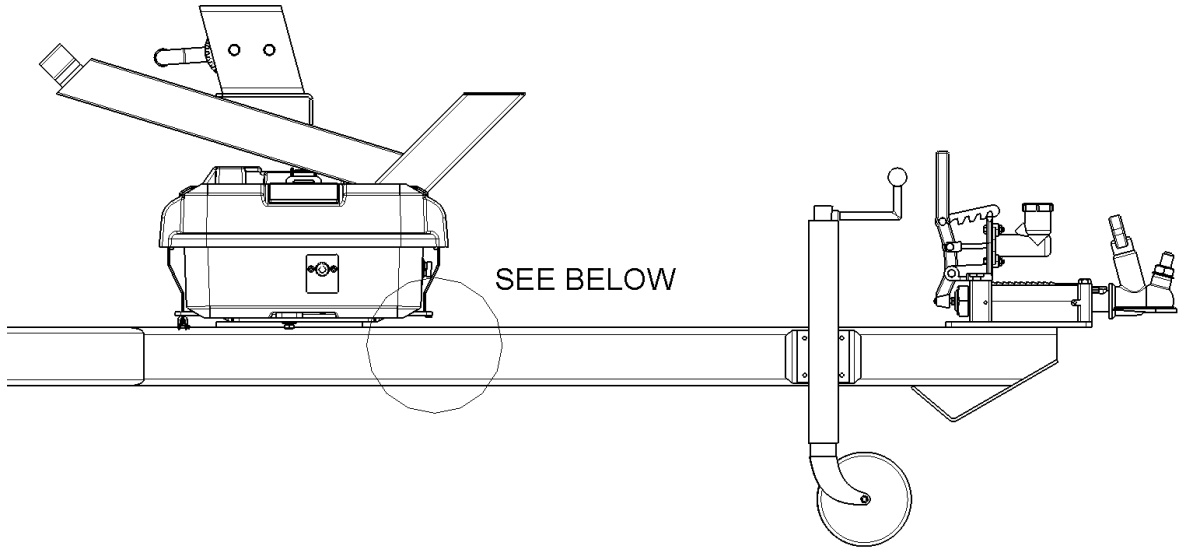
POWER UNIT INSTALLATION

Power Unit – Clearance Distance



Height = 390mm

POWER UNIT INSTALLATION



Height = 390mm

PHOTOS

